

Cyclonic Vacuum Cleaner

KC-T3520

KENT
Cyclonic
Vacuum Cleaners

HOUSE of PURITY

Instruction Manual for KC-T3520



CYCLONE5 Technology

Cleans with lower dust discharge
using HEPA filter

New Age
Pure Cleaning
Healthy Living



Welcome to KENT

Dear Customer,

At the outset, allow us to thank you for your trust in KENT Cyclonic Vacuum Cleaners. At KENT, we take pride in our reputation for product quality and industry proven performance. We are certain that your decision to own KENT Cyclonic Vacuum Cleaner will go a long way towards keeping you and your family in good health. We are confident that you will be more than satisfied with its performance and that it will serve your need for safer and cleaner living without any compromise.

This guide would help you in getting the best out of your KENT Cyclonic Vacuum Cleaners. Please go through the booklet to familiarize yourself with operation and maintenance.

You can look forward to years of trouble free service. To ensure that the warranty of your KENT Cyclonic Vacuum Cleaners is effective, it is important that you fill up the enclosed warranty card and mail it to us within 15 days of purchase.

In case you require any further information, please contact your nearest KENT dealer/branch.

Happy Cleaning,

KENT



Table of Contents

1.	Why KENT Cyclonic Vacuum Cleaners	1
2.	Salient Features of KENT Cyclonic Vacuum Cleaners	1
3.	Know Your Product	1
4.	Items in the Box	2
5.	Assembling Your KENT Cyclonic Vacuum Cleaner	2-3
6.	Using the Appliance	3-4
7.	Important Instructions	4
8.	Cleaning and Maintenance	5-6
9.	Important Safety Instructions	7
10.	Troubleshooting	8
11.	Technical Specifications	8

Why KENT Cyclonic Vacuum Cleaners

We at KENT have always believed that clean and healthy life is a right of every individual. This ethos is what made us to embark on the journey to develop innovative solutions for cleaning water, vegetable and air. With the use of an innovative technology and supported by a competent service network, we have been able to create a brand which has become synonymous with well-being and health.

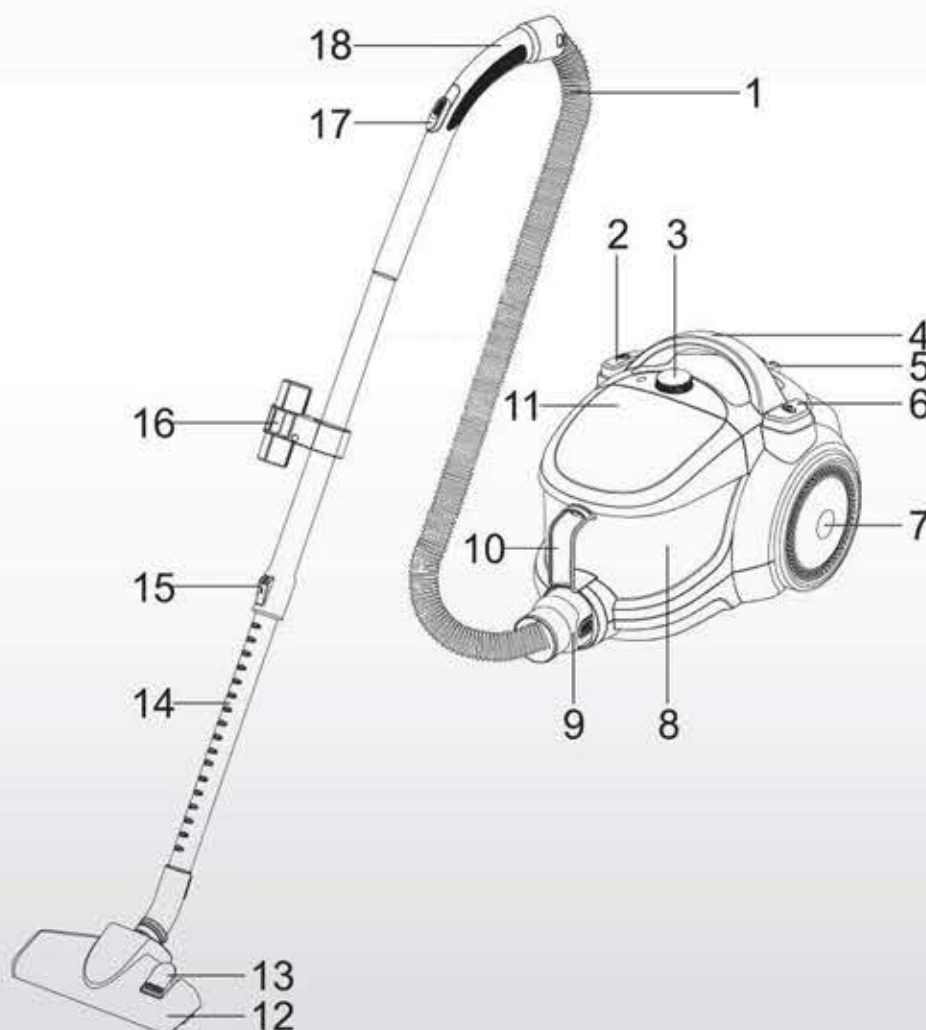
Continuing with the tradition, we now present the KENT Cyclonic Vacuum Cleaners, with futuristic and state-of-the-art Cyclonic technology and HEPA filters to provide clean, dust-free and spotless surroundings.

KENT Cyclonic Vacuum Cleaners do not use filtration bags, as found in traditional vacuum cleaners available in the market. Instead, Air and dust are sucked at high speed creating a fast-spinning vortex and the dust is separated in a detachable cylindrical collection vessel or bin. The Cyclonic technology and HEPA filter in KENT Cyclonic Vacuum Cleaners also reduce air pollution with lower dust discharge.

Salient Features of KENT Cyclonic Vacuum Cleaners

1. Advanced Cyclonic Technology (without filtration bags) for dust collection and HEPA (High Efficiency Particulate Arrestor) based discharge filter.
2. High efficiency motor with strong suction force for efficient cleaning.
3. High efficiency HEPA filter.
4. Reduces air pollution due to lower dust and particulate matter (PM) discharge.
5. Unique Helical V brush technology for increased efficiency of cleaning brush.
6. Auto power cord retractor.
7. Rubberized wheels.
8. Low noise.
9. Dust container full indicator.
10. Compact and contemporary design.

Know Your Product



1. Flexible Hose
2. Power Cable Winding Button
3. Suction Power Adjustment and Dust Container Removal Button
4. Carrying Handle
5. Park Channel
6. On/off Button
7. Rubberized Wheel
8. Dust Container
9. Flexible Hose Cap
10. Dust Container Carrying Handle
11. Upper Cover
12. Floor Brush
13. Floor Brush Adjustment Latch
14. Metal Telescopic Tube
15. Telescopic Tube Adjustment Latch
16. Accessory Carrier
17. Suction Control
18. Handle

Items in the Box

1. KENT Cyclonic Vacuum Cleaner	:	01 No.
2. User Guide	:	01 No.
3. Flexible Hose	:	01 No.
4. Metal Telescopic Tube	:	01 No.
5. Crevice tool	:	01 No.
6. Dust Brush	:	01 No.
7. Floor/Carpet Brush	:	01 No.
8. Wide Mouth Brush	:	01 No.

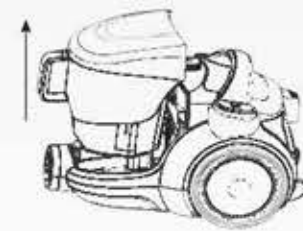
Assembling Your KENT Cyclonic Vacuum Cleaner

1. Unpack the unit completely and remove any stickers that can prevent unit operation.
2. Check the unit for damages. Do not use it in case of any damages.
3. Before switching the unit on, make sure that your home mains voltage corresponds to the unit operating voltage.

Attaching/Detaching Dust-Container to Vacuum Cleaner Body

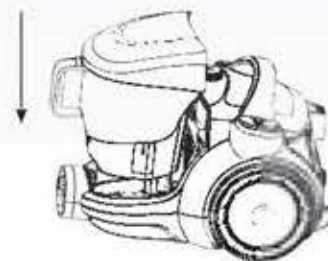
a. Attaching

1. To place the dust container to the body, gently place it in the direction of the arrow.
2. Ensure that the dust container is properly placed, otherwise it would lead to damaging the filters and also nonfunctioning of vacuum cleaner.



b. Detaching

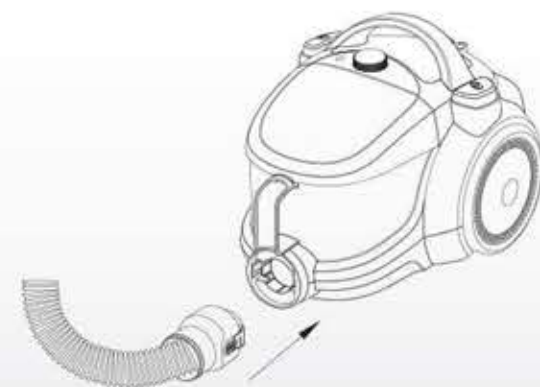
Press the dust container removal button to remove the dust container and pull the container holding dust container carrying handle as shown in the figure.



Attaching/Detaching the Flexible Hose

a. Attaching

1. To attach the flexible hose pull the hose cap in the direction of arrow until it is aligned with the housing.
2. The grooves on the flexible hose cap must be aligned properly.



b. Detaching

To detach the flexible hose, press on the tabs on the hose cap and pull it.

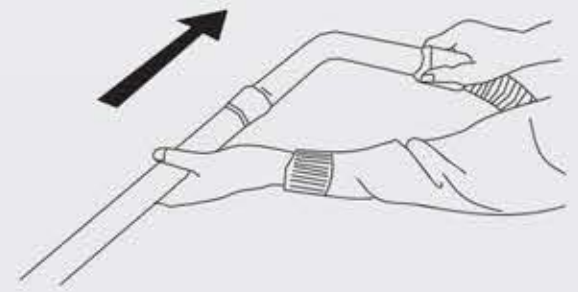
Attaching/Detaching Metal Telescopic Tube

a. Attaching

Attach the telescopic tube to the handle and pull the telescopic tube from the handle.

b. Detaching

To detach it, push the telescopic tube adjustment latch and pull the telescopic tube to adjust its length.



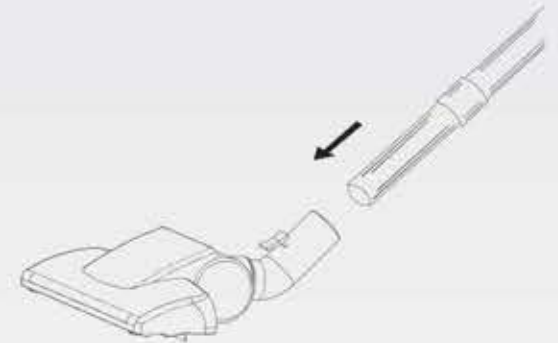
Attaching/Detaching Floor/Carpet Brush

a. Attaching

Attach the carpet brush to the telescopic tube in the direction of the arrow.

b. Detaching

You can detach the telescopic tube from the carpet brush by pulling it.



Adjustment in Floor/Carpet Brush

Adjust the settings by pressing the adjustment latch located on the carpet brush;

- a. To use brush on hard floor, extend the brush.
- b. For use on carpets or rugs, retract the brush.

Note: Always remove the plug from the power socket before fitting or removing accessories.

Using the Appliance

1. To use the appliance, gently pull the power plug located at the back and plug it in the socket.

Warning: The power cord comes with a yellow strip, while pulling out the power cord, ensure that the cable is pulled slowly and till yellow mark only. Do not pull the cord beyond red mark.

2. Press on/off button to switch on your appliance.
3. To rewind the power cable post use, press the rewind button with one hand and guide the cable with the other hand to ensure that it does not whip, causing damage.

Adjusting Suction Power

You can adjust the suction power of the appliance by turning the suction power button located on the body. Use different settings according to the type of the surface to be cleaned.

1. To increase the suction power, rotate the button clockwise.
2. To decrease the suction power, rotate the button anti-clockwise.

Note: Always remove the plug from the power socket before fitting or removing accessories.

Use of Accessories

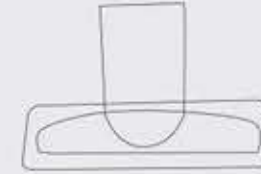
a. Crevice Tool

Ideal for cleaning of surfaces which are difficult to clean otherwise, such as radiators, couch corners, under the couch and in between cushions.



b. Wide Mouth Brush

Ideal for cleaning of flooring, stairs, car interiors, couches and armchairs.



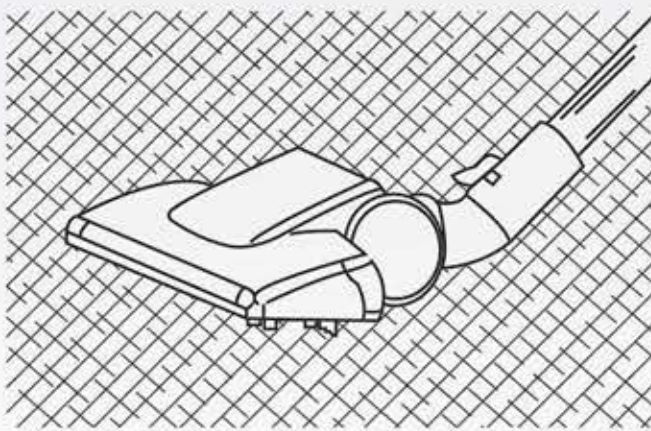
c. Dust Brush

Ideal for daily cleaning of carpets and hard floors.

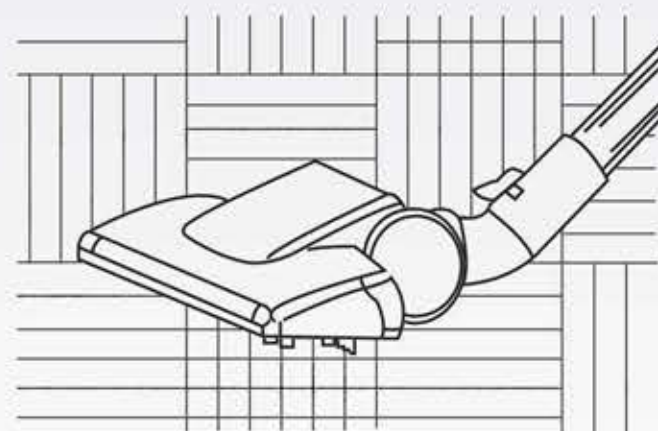


d. Floor/Carpet Brush

Ideal for daily cleaning of carpets and hard/wooden floors.



Carpet



Hard floor

Important Instructions

1. Do not operate the vacuum cleaner too close to heaters, radiators, cigarette butts, etc.
2. Do not plug or unplug the device with wet hands.
3. Before using the vacuum cleaner, remove large or sharp objects from the floor in order to prevent damage of HEPA filter.
4. To unplug, do not pull electrical cord. Pull out the plug.



Note: If the suction pipe or metal telescopic tube is blocked, switch off vacuum cleaner at once. Unplug the appliance before clearing the blockage. Once done, you can start the vacuum cleaner again.

Cleaning and Maintenance

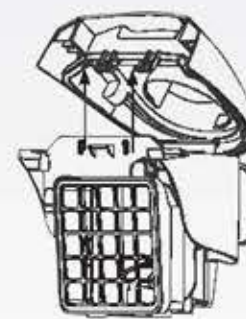
Switch off and unplug the appliance before cleaning it.

Note: Never use gasoline, solvent, abrasive cleaning agents, metal objects or hard brushes to clean the appliance.

a. Emptying Dust Container

For your convenience, KENT Cyclonic Vacuum Cleaner comes with an indicator which flashes whenever the dust container fills up completely.

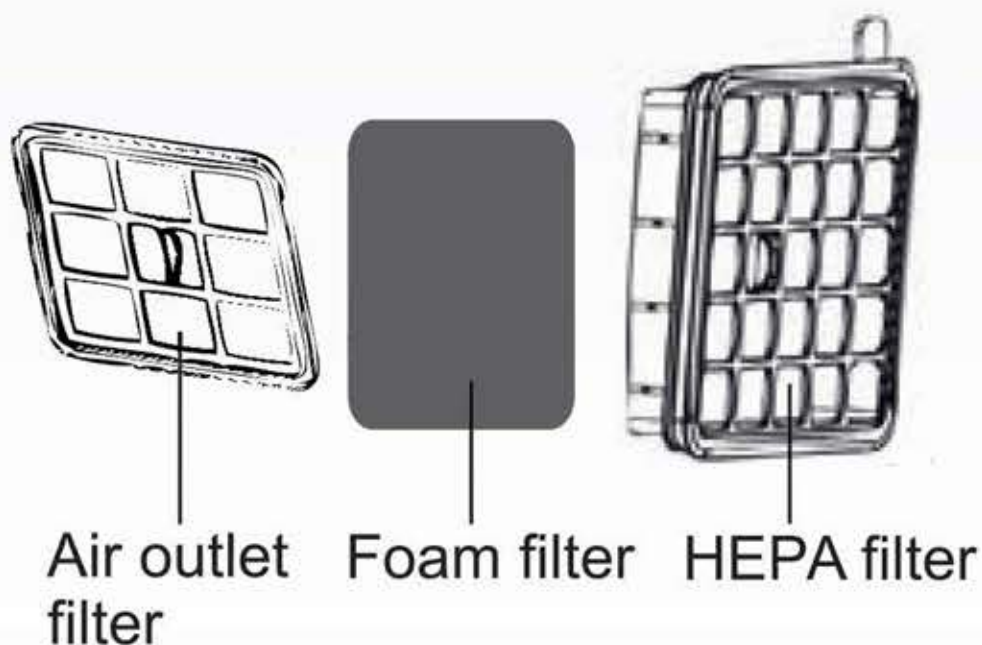
1. Press the dust container removal button to remove the dust container and pull the container holding dust container carrying handle.
2. Remove the upper cover from the dust container by pushing it in the direction of the arrow.
3. Grip the dust container from its carrying handle and turn it upside down to empty it.
4. Close the appliance's upper cover.
5. Insert the dust container into its place by holding it from the handle.



b. Cleaning Filters

Your KENT Cyclonic Vacuum Cleaner comes with three different types of filters.

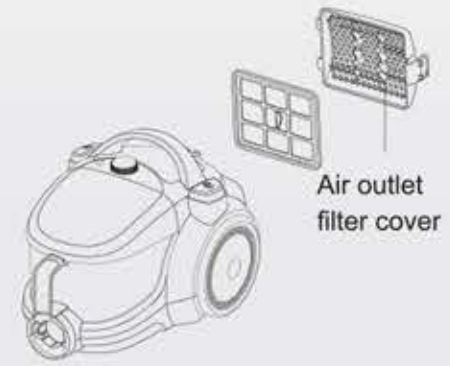
1. Air Outlet Filter
2. Foam Filter
3. HEPA Filter



Note: Do not install the filters without completely drying them.

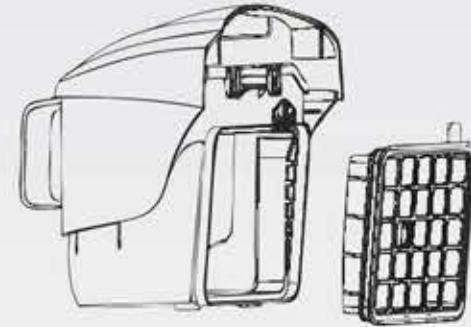
Air Outlet Filter

1. Open the air outlet filter's cover located at the back of the appliance.
2. Remove the air outlet filter by holding it by the handle located on it.
3. Clean by shaking it and place it back.



HEPA Filter

1. Remove the dust container
2. Remove the HEPA filter by holding it by the handle located on it.
3. Clean and wash under running water.
4. Leave the HEPA filter to dry after washing it.



Foam Filter

1. After removing the HEPA filter, you can see the foam filter located behind it.
2. Remove and wash the foam filter.
3. After washing the foam, gently wring it and let it dry completely.

Storage

1. If you do not intend to use the appliance for a long time, store it carefully.
2. Unplug the appliance.
3. Keep the appliance out of the reach of children.

Important Safety Instructions

When using an electrical appliance, basic precaution should always be followed, including the following:

1. Do not leave vacuum cleaner on when plugged in. Unplug, when not in use and before servicing.
2. To reduce the risk of electric shock, do not use on wet surfaces.
3. Use the appliance only as described in the manual.
4. Always use manufacture recommended attachments only.
5. Do not use the appliance if cord or plug is damaged or worn out. Replace the damaged cord or plug immediately.
6. Do not try to service the appliance on your own. Send it to an authorized service center.
7. Never use cord as a handle, close door on cord, or pull cord around sharp edges or corners. Keep the cord away from heated surfaces.
8. Do not unplug the appliance by pulling the cord. Always unplug by pulling the plug and not the cord.
9. To avoid electric shocks, do not use the appliance with wet hands.
10. Keep hair, loose clothing, fingers and all parts of body away from moving parts.
11. Turn all controls off before unplugging.
12. Use extra precautions while cleaning stairs.
13. Do not use the appliance to pick any flammable or combustible liquids, such as gasoline, or use in areas where they may be present.
14. Hold plug when rewinding onto cord reel. Do not allow plug to whip when rewinding.
15. Unplug before connecting the hose.
16. Do not pick up anything that is burning or leaving smoke, such as cigarettes, matches, or hot ashes.
17. Never use the appliance without filter in place.
18. If the supply cord is damaged, it must be replaced by the manufacturer or its service agent or a similarly qualified person in order to avoid a hazard.
19. This appliance is suitable for indoor use only.
20. Keep away from children.



HOUSE of PURITY

January, 2016



Innovations for
Better Living

Imported & Marketed by:
KENT RO SYSTEMS LTD.

E-6, 7 & 8, Sector-59, Noida, U.P.-201309, India.

Ph.: +91-120-3075000 | E-mail: sales@kent.co.in | Website: www.kent.co.in

For customer complaints, contact customer care officer at:

E-6, 7 & 8, Sector-59, Noida, UP-201 309, India. Call: 092-789-12345

E-mail: service@kent.co.in or Visit us at www.kent.co.in



8 906019 940851